



FEATURES

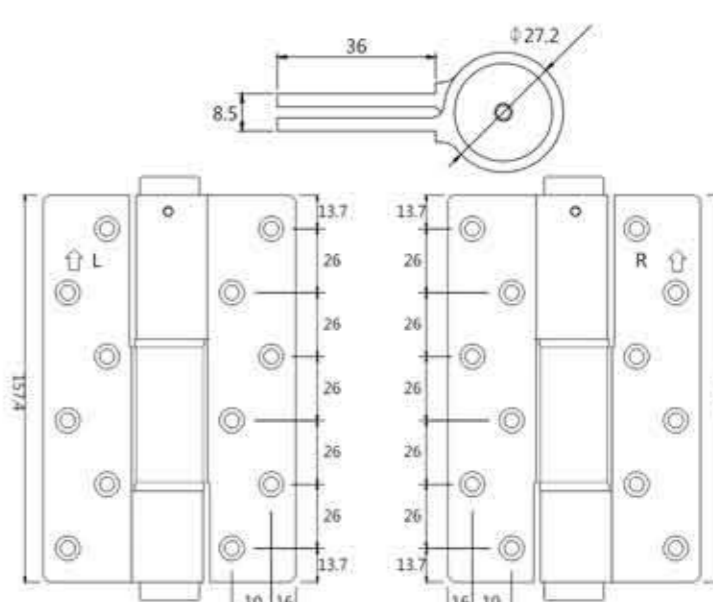
Hinges quantity application table

DOOR WEIGHT	≤35kg	≤60kg	≤90kg
SIZE	≤2000x700mm	≤2000x900mm	≤2400x1100mm
QUANTITY	1 hydraulic hinge+1 hinge	2 hydraulic hinge	3 hydraulic hinge
NOTING	2 hydraulic hinge effect is better	Highly 2100mm, add 1 only hinge 3 hydraulic hinge effect is better	
INSTALLATION DRAWING			

Product model comments table please view the model numbers order

TYPE	FUNCTION	COLOR	FUNCTION
1 H-type	0 Into lock function	1 Sand silver	1 Hydraulic hinge
2 Flag-type	1 Noiseless function	2 Sand gold	2 Bearing hinges
3 Glass door hinge		3 Red bronze	
4 Aluminum hinge		4 Green bronze	
5 High interval hinge		5 Matte Black	
		6 Stainless steel sanding	

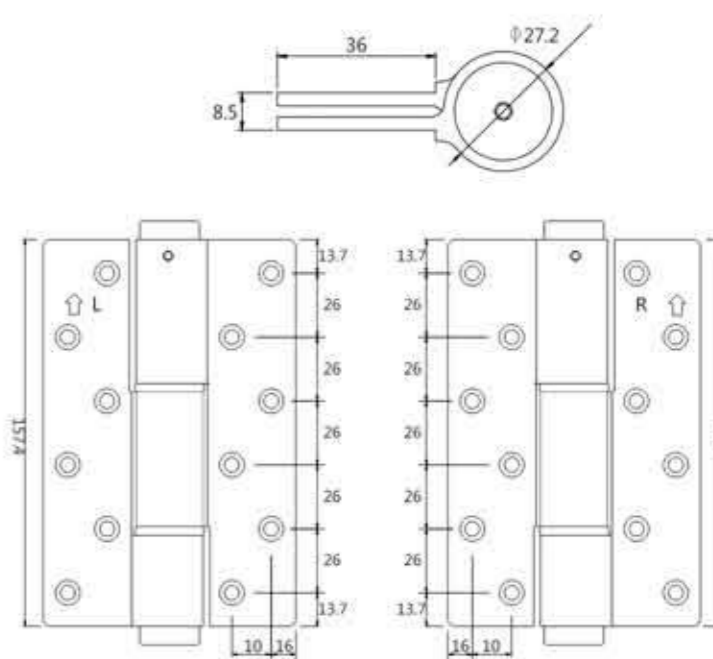
GW-M2-NA



Size of 36mm Left

Size of 36mm Right

GW-M2-B



Size of 36mm Left

Size of 36mm Right

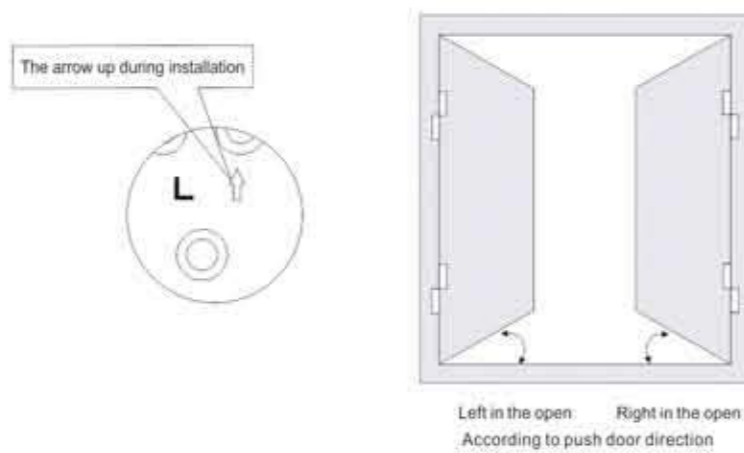
The proposal is used in the hydraulic door closers hinge

HEAVY DOOR	SIZE	NUMBER	NOTE
≤35kg	≤2000mm × 700mm	1 hydraulic+1 empty hinges	2 hydraulic hinge is better
≤60kg	≤2000mm × 900mm	2 hydraulic	Height is higher than 2100 mm add an empty hinges (3 hydraulic hinge is better)
≤90kg	≤2400mm × 1100mm	3 hydraulic	

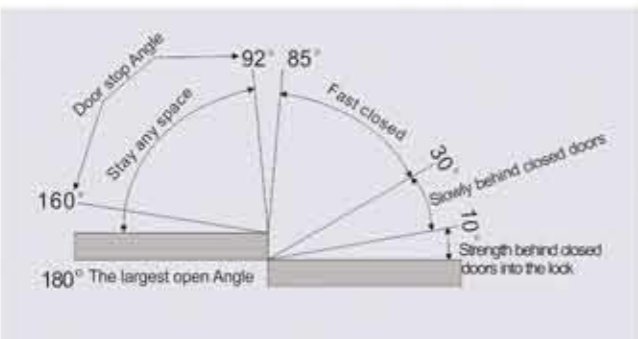


According to the following method to distinguish the hinges around to open the door, please

Person standing at the door to distinguish method: open the door, facing the door. Put his hand to push, hinges on the left is left open, hinge is installed on the right side to right away



Interval at different speeds



Door stop positioning (92° and 160°) Instead of traditional door stopper	Slowly closed interval (30°-10°) For the sake of safety, slowly closing range
Speed closed interval (85°-30°) The door can be quickly closed interval	Fully closed interval (10°-0°) Strength behind closed doors into the lock, door can smoothly into the lock.

Hydraulic glass door hinge (glass and wall)



Hydraulic glass door hinge (glass and glass)



Main Features: Applicable To The Shower Room, Glass Doors With Glass, Not Slot In Glass, Just Drilling, Installation Easier To Prevent Leaf Drop, Throw Angle, Hinge Can Split Installation, Is More Suitable For Being Used In Batches.

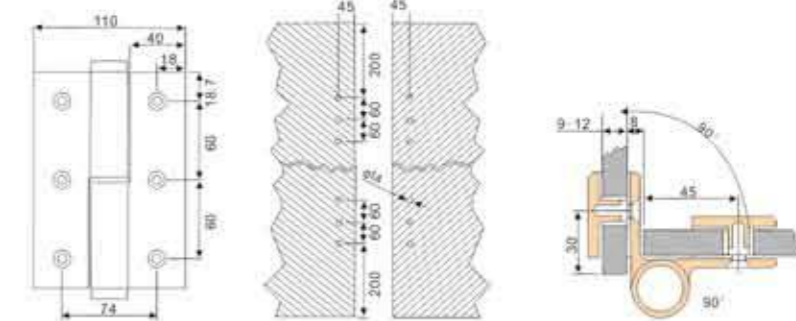
Features: After Installing Closing Force And Closing Speed Can Be Adjusted, Hydraulic Damping Automatically Shut Down, You Can Close The Door Against Shock, Extreme Security, Prevent Smashed Glass Wounding, It Is The Most Safety Glass Door Control Products On The Market At Present. (Can Adjust The Reset, Restore Non-functional State, Easy To Install And Remove Again)

Product size chart

Stainless steel Aluminum hinges Aluminum hinges

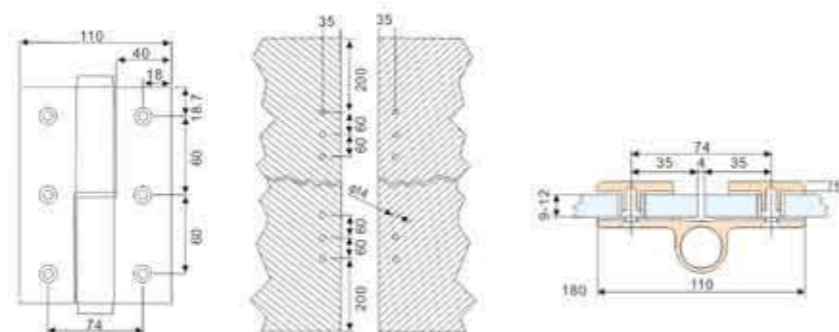
Recommend slotted doors, with ordinary hinge installation method

GW-3011 (90°) Hydraulic glass door hinge (glass with glass)



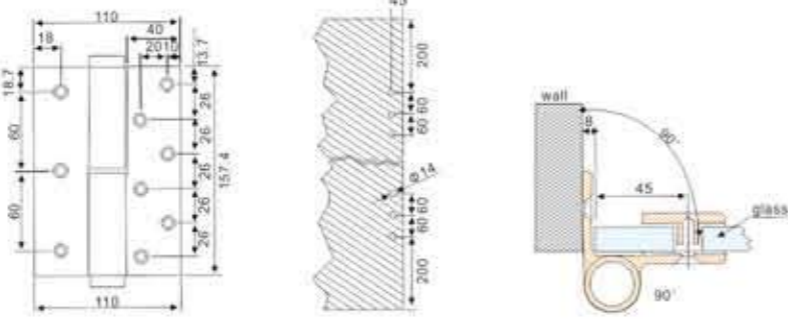
NAME	MODEL	NAME	MODEL
90° glass aluminum alloy hydraulic hinge left	GW-3011-90L	90° glass aluminum alloy bearing hinge left	GW-3012-90L
90° glass aluminum alloy hydraulic hinge right	GW-3011-90R	90° glass aluminum alloy bearing hinge right	GW-3012-90R

GW-3011 (180°) Hydraulic glass door hinge (glass with glass)



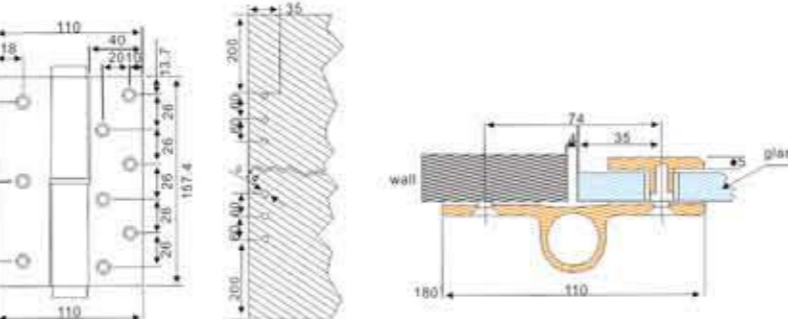
NAME	MODEL	NAME	MODEL
180° glass aluminum alloy hydraulic hinge left	GW-3011-180L	180° glass aluminum alloy bearing hinge left	GW-3012-180L
180° glass aluminum alloy hydraulic hinge right	GW-3011-180R	180° glass aluminum alloy bearing hinge right	GW-3012-180R

GW-3011A (90°) Hydraulic glass door hinge (glass with wall)



NAME	MODEL	NAME	MODEL
90° Framed glass hydraulic hinge to the left	GW-3011-90L	90° Framed glass bearing hinge on the left	GW-3012-90L
90° Framed glass hydraulic hinge to the right	GW-3011-90R	90° Framed glass bearing hinge on the right	GW-3012-90R

GW-3011A (180°) Hydraulic glass door hinge (glass with wall)



NAME	MODEL	NAME	MODEL
180° Framed glass hydraulic hinge to the left	GW-3011-Y180L	180° Framed glass bearing hinge on the left	GW-3012-Y180L
180° Framed glass hydraulic hinge to the right	GW-3011-Y180R	180° Framed glass bearing hinge on the right	GW-3012-Y180R